



INSTALLATION INSTRUCTIONS FOR COMBO EXIT/EMERGENCY LIGHT

SAVE THESE INSTRUCTIONS IMPORTANT SAFEGUARDS:

When using electrical equipment, always adhere to basic safety precautions including the following:

IMPORTANT

The battery in this unit may not be fully charged. After electricity is connected to unit, let battery charge for at least 24 hours, then normal operation of this unit should take effect. To check, press TEST button. The emergency lamps should illuminate.

When re-lamping, use only lamps specified in the fixture. Using other lamp types may result in transformer damage or unsafe conditions.

READ AND FOLLOW ALL SAFETY INSTRUCTIONS

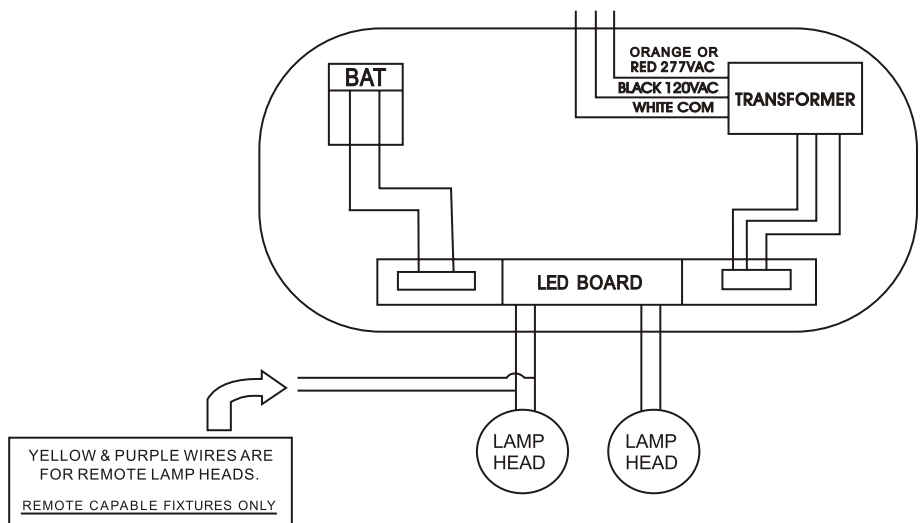
1. Do not use outdoors.
2. Equipment should be mounted securely in locations and at heights where it will not be readily subjected to tampering by unauthorized personnel.
3. Do not mount near gas or electric heaters.
4. Cap unused wires with enclosed wire nuts or other approved method.
5. Do not use this equipment for anything other than its intended use.
6. The use of accessory equipment not recommended by the manufacturer will void product listing and warranty and may cause an unsafe condition.
7. Disconnect AC power before servicing and installation.
8. Consult local building code for approved wiring and installation.
9. Use caution when servicing batteries.
10. Any service on this equipment should be performed by qualified personnel only.
11. Make sure wire terminations are secure and leads are properly tucked in appropriate wire channels.

INSTALLATION (CEILING MOUNT)

1. Connect 20-inch jumper leads to AC input leads in J-box. Fasten J-Box bracket to J-Box. Use black wire for 120V. Use orange or red wire for 277V. White wire is common
2. Fasten canopy to J-Box bracket.
3. Snap housing to canopy
4. Connect and trim input leads to emergency light leads at upper left corner of housing wire channel.
5. Connect battery only after continuous AC power can be provided to the unit.
6. Remove proper chevron(s) as required.
7. Secure face plate(s) to housing.

INSTALLATION (WALL MOUNT)

1. Connect 20-inch jumper leads to AC input leads in J-box. Fasten J-Box bracket to J-Box. Use black wire for 120V. Use orange or red wire for 277V. White wire is common.
2. Remove necessary knockouts and fasten black cover to J-Box cover.
3. Snap housing on to black cover.
4. Connect and trim input leads to emergency light leads at upper left corner of housing wire channel.
5. Connect battery.
6. Remove proper chevron(s) as required.
7. Connect battery only after continuous AC power can be provided to the unit.
8. Secure face plate(s) to housing.



Connection of remote emergency lights (If Applicable)

Use Yellow & purple wires for remote fixture(s). Route wires outside of fixture separately or with AC supply wires.

Make sure to keep all wires out of the way of the EXIT LEGEND so there are no shadows.

Distributed by:



www.PegasusLighting.com
800.392.4818