

INSTALLATION INSTRUCTIONS FOR SURFACE MOUNT EDGE-LIT LED EXIT SIGN WITH BATTERY BACKUP

IMPORTANT SAFEGUARDS: When using electrical equipment, always adhere to basic safety precautions including the following:
The battery in this unit may not be fully charged. After electricity is connected to unit, let battery charge for at least 24 hours, then normal operation of this unit should take effect.

READ AND FOLLOW ALL SAFETY INSTRUCTIONS

1. Do not use outdoors.
2. Equipment should be mounted securely in locations and at heights where it will not be readily subjected to tampering by unauthorized personnel.
3. Do not mount near gas or electric heaters.
4. Cap unused wires with enclosed wire nuts or other approved method.
5. Do not use this equipment for anything other than its intended use.
6. The use of accessory equipment not recommended by the manufacturer will void product listing and warranty and may cause an unsafe condition.
7. Disconnect AC power before servicing and installation.
8. Use caution when servicing batteries.
9. Any service on this equipment should be performed by qualified personnel only.
10. Make sure wire terminations are secure and leads are properly tucked in appropriate wire channels.

INSTALLATION INSTRUCTIONS

Choose mounting configuration (end, top or back mount). Plug remaining holes with the appropriate color plugs.

1. Secure canopy bracket to ceiling or wall.
2. Open the housing cover.
3. Secure housing and canopy with screws (see mounting configuration).
4. Feed the AC input leads (red, black, white) through the housing and canopy's center hole. Connect AC input leads to AC power supply leads. Connect the red lead to a 277VAC power supply or the black lead to a 120VAC power supply and the white lead to neutral.
5. Secure canopy into canopy bracket with 1-1/2" long #8-32 screws, then insert battery terminal wire into two-pin male connector.
6. Connect battery only after continuous AC power can be provided to the unit.
7. Snap housing cover into place.
8. Apply chevron directional indicators as required. Remove application templates when finished.

End Mount

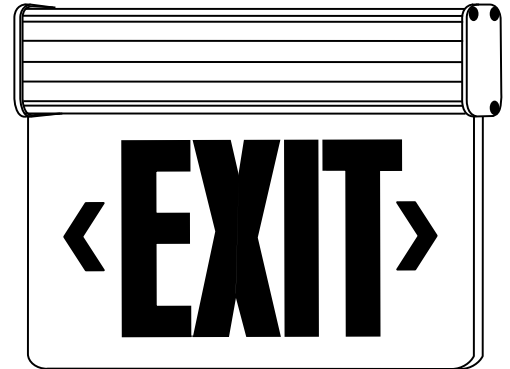
1. Secure canopy to end plate of fixture using mounting holes C and E with (2) 3/4" #10-24 screws (included).
2. Run connection wires through large hole between mounting holes C and D.
3. Make electrical connections and mount canopy to junction box (or spider plate if required) using the two recessed mounting holes and (2) 1-1/2" #8-32 screws (included).

Top Mount

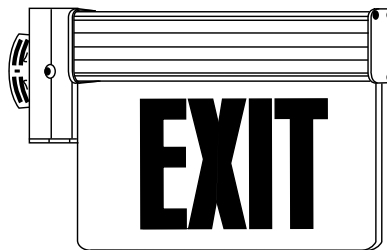
1. Secure canopy to top of fixture using mounting hole A with 3/4" #8-32 screw and hex nut, and 1/2" center hole (between mounting holes B and C) with threaded nipple and hex nuts (included).
2. Run connection wires through threaded nipple.
3. Make electrical connections and mount canopy to junction box (or spider plate if required) using the two recessed mounting holes and (2) 1-1/2" #8-32 screws (included).

Back Mount

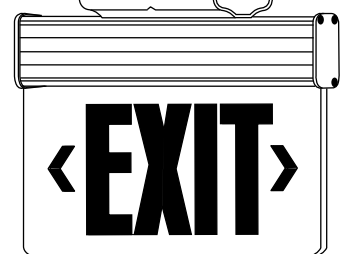
1. Mount canopy to junction box (or spider plate if required) using the two recessed mounting holes and (2) 1-1/2" #8-32 screws.
2. Run connection wires through large hole in center of canopy.
3. Secure fixture to canopy with (2) 3/4" #10-24 screws (included) by going directly into mounting holes A and C.
4. Make electrical connections.



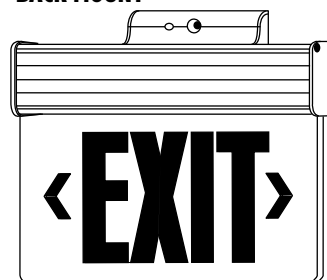
END MOUNT



TOP MOUNT



BACK MOUNT

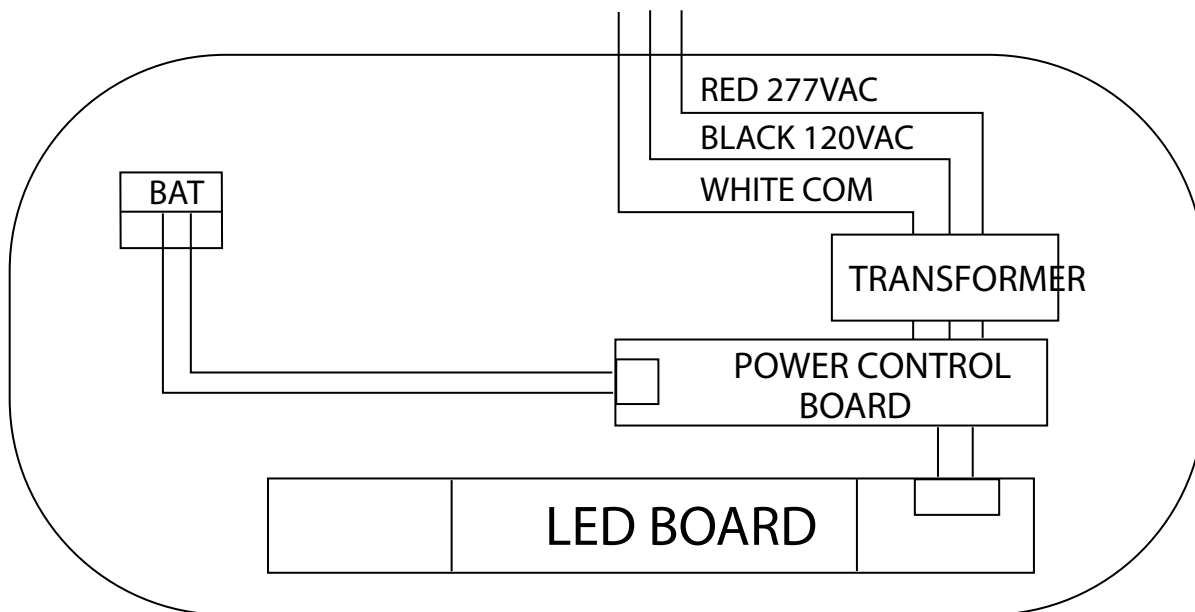


INSTALLATION INSTRUCTIONS FOR SURFACE MOUNT EDGE-LIT LED EXIT SIGN WITH BATTERY BACKUP

READ AND FOLLOW ALL SAFETY INSTRUCTIONS

IMPORTANT SAFEGUARDS: When using electrical equipment, always adhere to basic safety precautions.

WIRING DIAGRAM:



Distributed by:



www.PegasusLighting.com

800.392.4818