

Installation Instructions

****URGENT: READ PRIOR TO ATTEMPTING INSTALLATION***

NULS-8/13/18/21/24/28 LOW PROFILE T5 FLUORESCENT FIXTURE

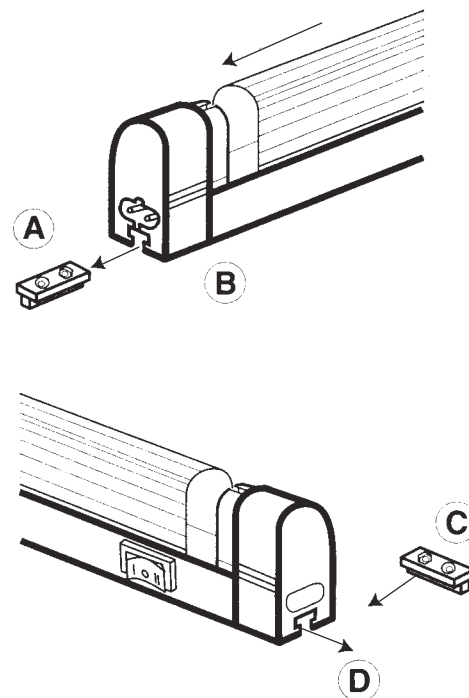
WARNING - RISK OF FIRE

FIRE/ELECTRICAL HAZARD: INSTALL ACCORDING TO NATIONAL ELECTRIC CODE AND ANY APPLICABLE MUNICIPAL CODE REQUIREMENTS.

This equipment is intended to be installed only by qualified personnel. The installation must be made in accordance with the current edition to the National Electric Code and all applicable state and local building codes. The final installation must be approved by the appropriate qualified electrical/building inspector(s). Improper installation may result in a fire or electrical hazard. Be sure electrical power to the circuit has been disconnected before installing this electrical system.

INSTALLATION:

1. Disconnect all electrical power
2. Note that grounding is unnecessary due to UL approved double insulated construction of fixture
3. Maintain 7/16" (10mm) minimum clearance from adjacent flammable materials
4. Affix only ONE mounting bracket to cabinet surface (A)
5. Slide fixture completely onto bracket until the end of the slot prevents further motion (B)
6. Affix second mounting bracket at opposite end of fixture at beginning of slot (C)
7. Slide fixture over second bracket into desired position (D)
8. Install any additional fixtures (if any), connecting with the included straight connector
9. After last fixture is installed, secure position of fixture(s) by installing two screws at both ends of the fixture (or at each end of complete string of fixtures), protruding 1/8" – just enough to prevent further movement of fixture(s)
10. Install lamp and cover



MULTIPLE UNITS:

Fixtures can be connected to one another either with straight connector, or with flexible 6", 12", or 18" extension connectors.

****DO NOT EXCEED 10 TOTAL FIXTURES ON SINGLE POWER FEED****

CONNECTION:

To supply electrical power simply plug the female receptacle of the power cord into the end of the fixture containing the male connector and then plug the power cord into any electrical outlet.

Distributed by:



www.PegasusLighting.com

800.392.4818