

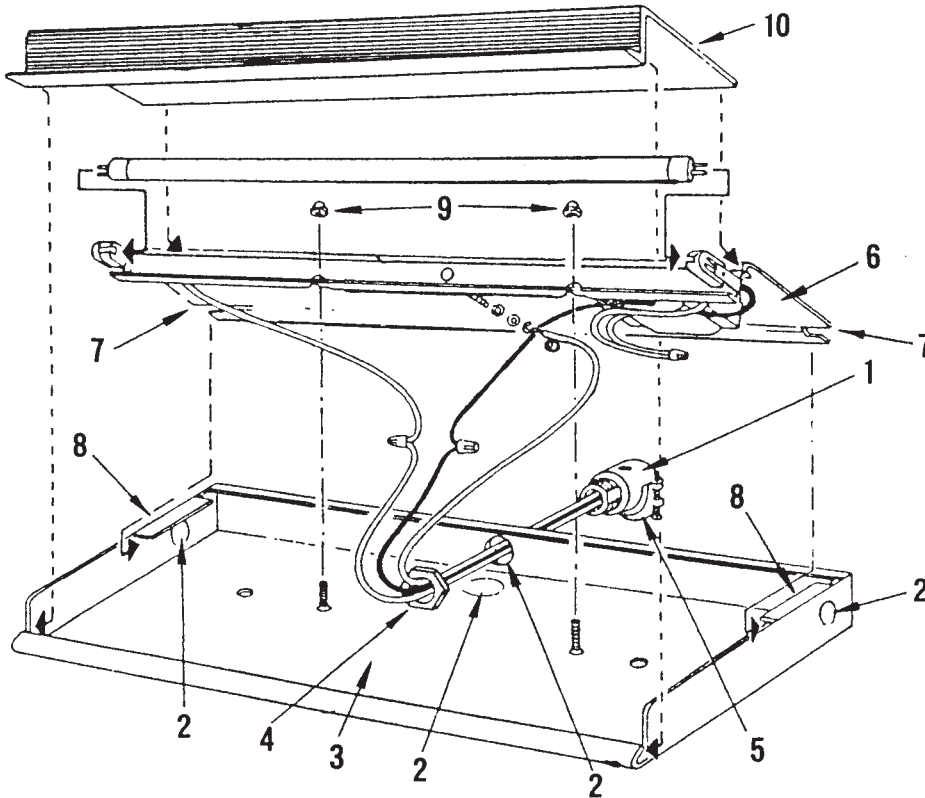
Mini Inch

fluorescent undercabinet light

ASSEMBLY INSTRUCTIONS

CAUTION : Read All Instructions Carefully

for Safe Operation and installation.



REMOVE ALL PARTS
AND PARTS BAG
FROM CARTON.

Distributed by:



www.PegasusLighting.com
800.392.4818

- A.** Insert connector (1) to desired knockout (2) in housing (3). Knockout is removed by pressing with screwdriver.
- B.** Attach connector (1) to housing (3) using lock nut (4) provided. Insert 1/2" or 3/8" conduit through provided connector (1) and secure with fastener (5) provided. (*screw heads must always face up and view holes down*).
- C.** Mount housing (3) to desired surface.
- D.** Take wireway channel (6) and with power off attach green supply wire to green stud on wireway (6) with provided hardware. Attach black fixture wire to black supply wire; white fixture wire to white supply wire. **DO NOT MIX!!!** Use wire nuts (*local hardware item*) to splice connections.
- E.** Place wireway tabs (7) onto housing tabs (8) and slide into place. Using provided hex nuts (9), attach to housing.
- F.** Insert lamp(s) and test unit by restoring power. If unit does not light correctly, turn off power before making corrections.
- G.** Snap diffuser (10) into place.

NOTE : FIXTURE MUST BE WIRED IN ACCORDANCE WITH
ALL NATIONAL/LOCAL ELECTRICAL CODES.

CAUTION : Disconnect electrical power
before installing or servicing
any part of fixture.

"MIN 125°C SUPPLY LEADS" and "LES FILS D'ALIMENTATION DOIVENT CONVENIR POUR 125°C"