

LED MINI SWIVEL SERIES

The LED Mini Swivel Series delivers bright white light with a lot of punch! The three-watt version is powerful enough to replace small can lights to highlight artwork. The one-watt styles recess into small spaces to make jewelry sparkle and back bars come to life. The LED Mini Swivel Series does not build up heat, keeping displays cool. These are especially useful in commercial recessed applications – save over 90% in running and maintenance costs over incandescent cans.



Black



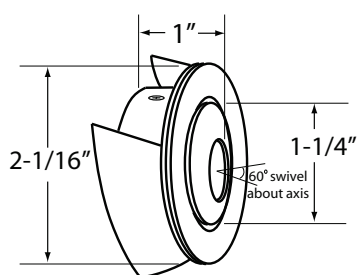
Brushed
Steel



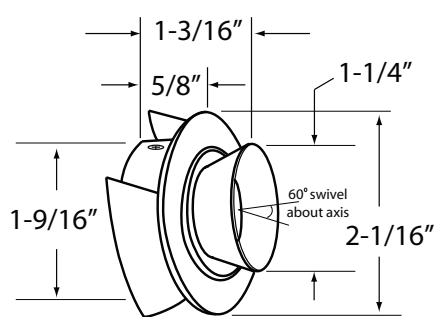
White

FEATURES

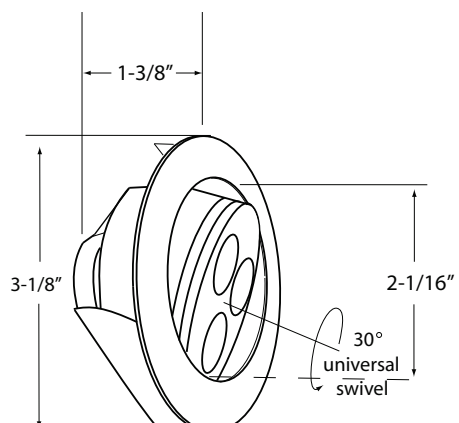
- Bright white (3100°K) LED light with accurate color rendering
- Powerful point source of light that swivels to direct light where you need it
- Produces minimal heat – helps keep displays cool
- Recess mount in sheetrock, wood and other materials
- Easy installation – no lamps to replace
- Save energy – available in 1.25 watts and 3.75 watts
- No harmful ultraviolet (UV) rays
- Link up to 36 watts to one power supply
- Long life LEDs (up to 60,000 hours)



LED Mini Swivel



LED Mini Visor



LED 3-watt Swivel



For added product flexibility, each LMV and LMS Mini Swivel light includes two optical lenses (optics). The one that is installed in the fixture is a spot (25° beam angle). If needed, the spot can be replaced with the 80° optic to create a flood.

Distributed by:



www.PegasusLighting.com
800.392.4818

TECHNICAL SPECIFICATIONS

Voltage	350mA, 50/60Hz DC operation
Construction	Die-cast aluminum alloy housing and heat sink, stainless steel clips
Dimensions	For LMS: H = 1/8" (recessed profile), Dia = 2-1/16", For LMV: H = 1/2" (recessed profile), Dia = 2-1/16" For LMS-3: H = 3/32" (recessed profile), Dia = 3-1/8"
Lead wires	78" length, 24AWG with 350mA molex connector for series wiring configuration
Switching	Use switched outlet to control On/Off functions
Cut-out	For LMS and LMV: 1-7/8" hole size, for LMS-3: 2-3/4" hole size
Wattages	LMS and LMV = 1.25 watts; LMS-3 = 3.75 watts
Maximum run	18 watts x 2 with LED-DR36-350D (dual output, 18 watts each)
LED specs	50,000 hour rated life, 350mA, high power (1-watt) LED, 3100°K, 85 CRI, 25° beam angle
Dimmers	Dimmable with most standard incandescent dimmers only when powered by LED-DR36-350D
Diffuser	All styles have clear acrylic lens covers installed with a beam angle of 25°. For LMS and LMV styles, an additional optional prismatic lens cover is included that can be replaced to change the beam angle to 80°
Swivel	LMS and LMV swivel about an axis, up to 90° and 30° respectively; LMS-3 has a universal swivel capability up to 30°



P/H

