

LED MINI LED STEPLIGHTING

SAVE THESE INSTRUCTIONS

ALWAYS TURN OFF MAIN POWER BEFORE INSTALLATION

Item#	Description	Rating
NSI-661	LED Mini Step Light, Horizontal & Vertical Louver	120VAC / 1.44W
NSI-662	LED Mini Step Light, Lensed	120VAC / 1.44W
NSI-661PC	LED Mini Step Light w/ Photocell, Horizontal & Vertical Louver	120VAC / 1.08W
NSI-662PC	LED Mini Step Light w/ Photocell, Lensed	120VAC / 1.08W

Caution:

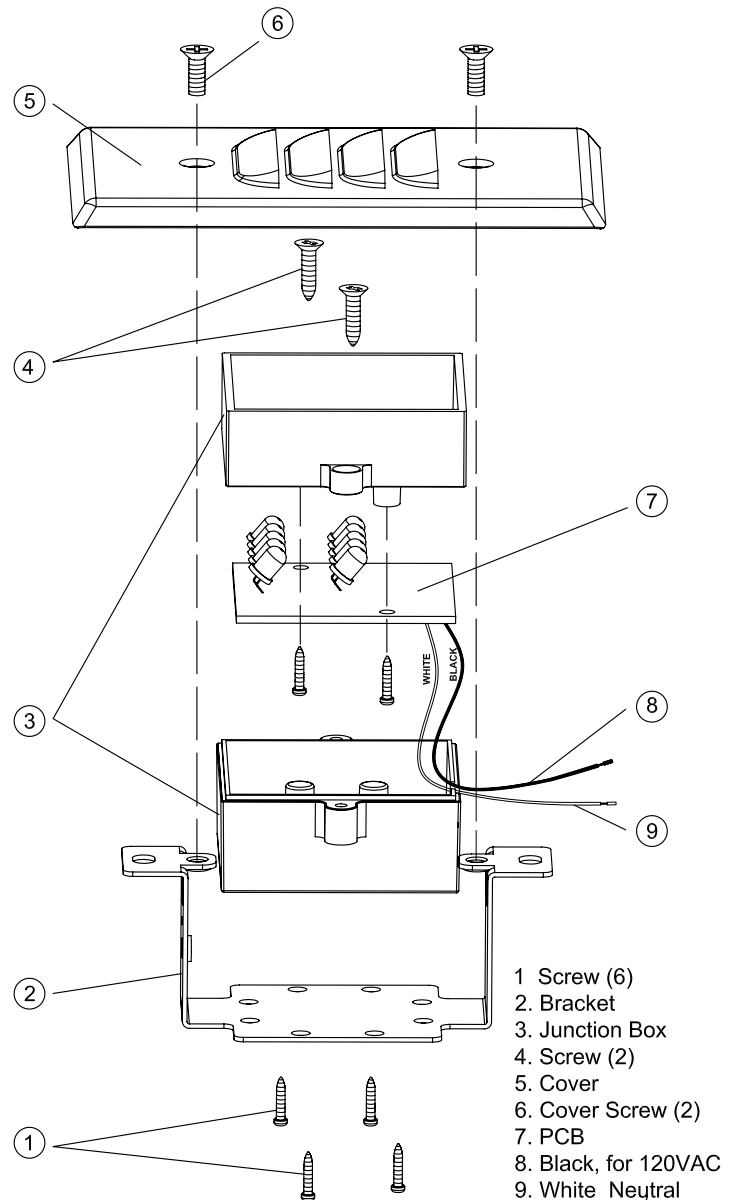
- Always turn off power prior to installation or replacement.
- Avoid contacting light source with flammable materials.
- Do not cover step light with drapes, blankets, etc.
- Do not block ventilation, as overheating may occur.
- Use only light emitting diodes for replacement.

READ AND FOLLOW ALL SAFETY INSTRUCTIONS

1. Review the diagram thoroughly before beginning. If you feel you do not have electrical wiring experience, refer to a do-it yourself wiring handbook or have your fixture installed by a qualified licensed electrician.
2. All electrical connections must be in accordance with local codes, ordinances, and the National Electric Code. If you are unfamiliar with methods of installation electrical wiring, consult the services of a qualified licensed electrician.
3. Before starting the installation, disconnect the power by turning off the circuit breaker or by removing the appropriate fuse at the fuse box.
4. Do not mount near gas or electrical heaters.
5. The use of accessory equipment is not recommended by the manufacturer and may cause an unsafe condition.
6. Do not use this equipment for other than intended use.
7. Qualified personnel should perform all servicing only.

INSTALLATION INSTRUCTIONS

1. Remove the old device from the electrical box in a retrofit application.
2. Twist together bare copper ends of conductors as follows: BLACK (hot) conductor from power source to BLACK wire on device. WHITE (neutral) conductor from power source to WHITE conductor on device. Screw on wire connectors and then secure wire connectors with UL listed electrical tape.
3. Mount device in the electrical box, with "TOP" up, using the screws provided.
4. Place cover plate and tighten cover screws.
5. Restore power at circuit breaker or fuse.
6. Installation is complete.



INSTALLATION SHOULD BE CARRIED OUT BY YOUR LOCAL ELECTRICIAN.

Distributed by:



www.PegasusLighting.com
800.392.4818