

120 Volt Hardwire Xenon Under Cabinet Light

Installation instructions for LXCH Series

WARNING: These products may represent a possible shock or fire hazard if improperly installed or attached in any way. Products should be installed in accordance with the owners manual, current electrical codes and/or the current National Electric Code (NEC).

WARNING: To avoid electrical shock, disconnect power to the unit prior to installation or replacing lamp. Caution: Injury to persons and damage to the lamp and/or mounting surface may result if the lamp is pulled from the surface. To reduce the likelihood of such injury or damage, mount on a surface that is mechanically sound.

HARDWIRE INSTALLATIONS:

1. Pull the lens cover away from the front edge of the fixture gently rotating towards the back of the fixture. The lens cover will now be open at a 90° angle to the base of the fixture.
2. Remove the lens cover from housing by gently sliding each end of the lens towards the front of the unit (see Figure 2).
3. To gain access to the wires contained inside the fixture, remove the two screws that secure the wire housing cover to the wiring enclosure.
4. Lift off wire housing cover and remove the knockout that is most conveniently located to your 120V power supply. Standard knockouts are located on the back, top and ends of the fixture (see Figure 2).

SUPPLY WIRES CONNECTION:

Feed wires into fixture housing. Connect fixture wires to supply wires following NEC or local codes. Use minimum 18 AWG solid copper wires. Attach white to white, black to black and ground to ground.

REPLACE THE WIRE HOUSING COVER:

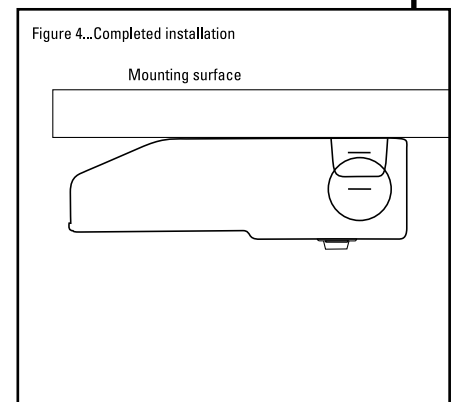
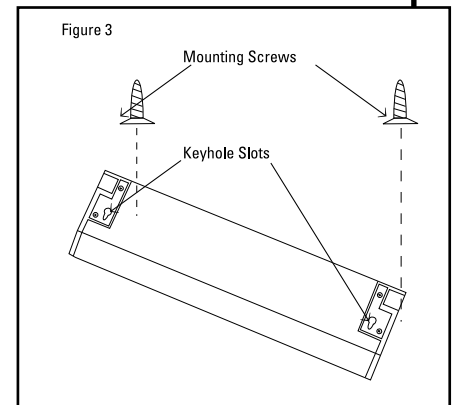
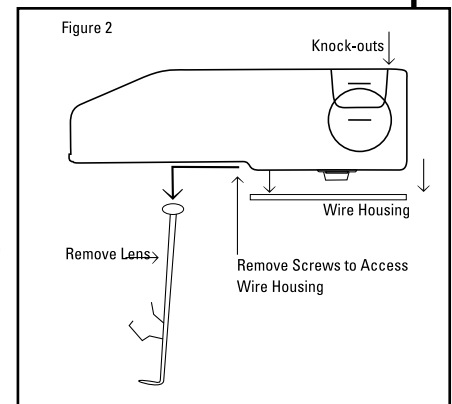
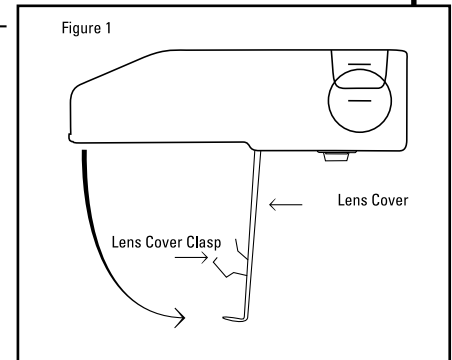
Use the existing screws to secure the wire housing cover in place.

INSTALL THE BULB(S) PROVIDED:

Do not touch the bulb with bare hands. Use a soft cloth to handle bulb.

REPLACE LENS COVER:

By gently pushing the sides of lens into place. Do not operate without lens cover in place.



Distributed by:



www.PegasusLighting.com

800.392.4818

120 Volt Hardwire Xenon Under Cabinet Light

Installation instructions for LXCH Series

WARNING: These products may represent a possible shock or fire hazard if improperly installed or attached in any way. Products should be installed in accordance with the owners manual, current electrical codes and/or the current National Electric Code (NEC).

WARNING: To avoid electrical shock, disconnect power to the unit prior to installation or replacing lamp. Caution: Injury to persons and damage to the lamp and/or mounting surface may result if the lamp is pulled from the surface. To reduce the likelihood of such injury or damage, mount on a surface that is mechanically sound.

HARDWIRE INSTALLATIONS:

1. Pull the lens cover away from the front edge of the fixture gently rotating towards the back of the fixture. The lens cover will now be open at a 90° angle to the base of the fixture.
2. Remove the lens cover from housing by gently sliding each end of the lens towards the front of the unit (see Figure 2).
3. To gain access to the wires contained inside the fixture, remove the two screws that secure the wire housing cover to the wiring enclosure.
4. Lift off wire housing cover and remove the knockout that is most conveniently located to your 120V power supply. Standard knockouts are located on the back, top and ends of the fixture (see Figure 2).

SUPPLY WIRES CONNECTION:

Feed wires into fixture housing. Connect fixture wires to supply wires following NEC or local codes. Use minimum 18 AWG solid copper wires. Attach white to white, black to black and ground to ground.

REPLACE THE WIRE HOUSING COVER:

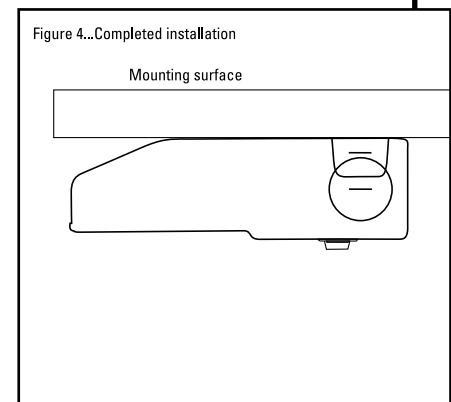
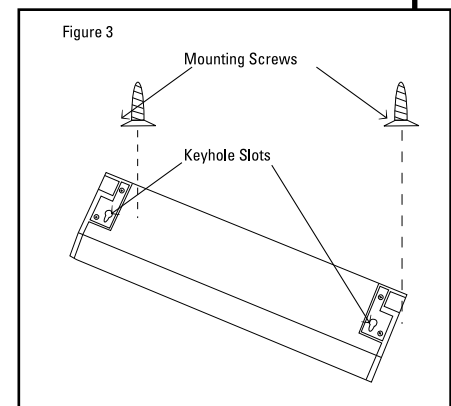
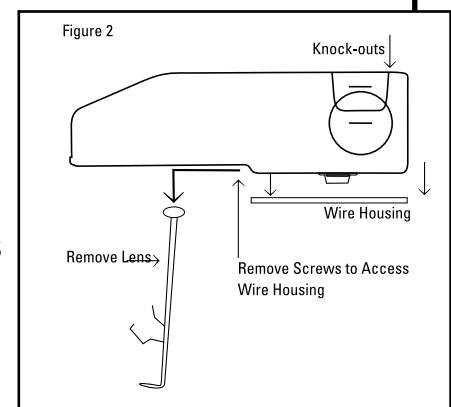
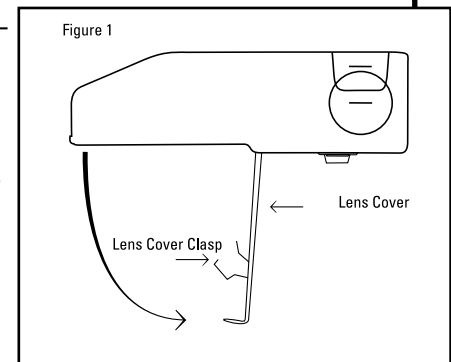
Use the existing screws to secure the wire housing cover in place.

INSTALL THE BULB(S) PROVIDED:

Do not touch the bulb with bare hands. Use a soft cloth to handle bulb.

REPLACE LENS COVER:

By gently pushing the sides of lens into place. Do not operate without lens cover in place.



Distributed by:



www.PegasusLighting.com
800.392.4818